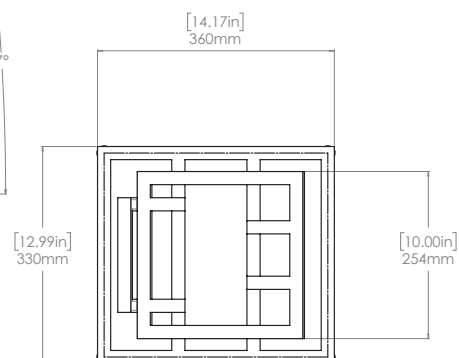
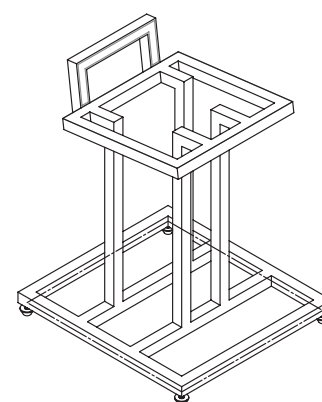
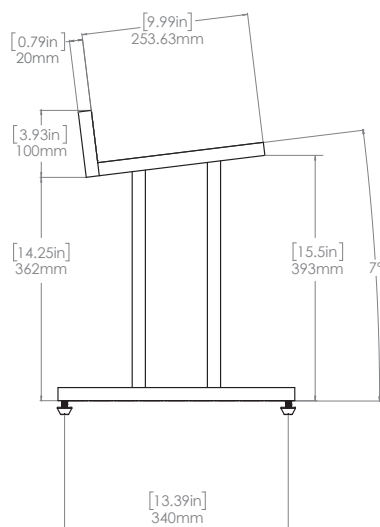


JS-80 Loudspeaker Stand

JBL



Features

- Designed for the L82 Classic
- Packed and sold in pairs

Specifications

- ▶ Height: 18.19" (462mm)
- ▶ Base width: 12.99" (330mm)
- ▶ Pedestal width: 10" (254mm)
- ▶ Depth: 14.17" (360mm)
- ▶ Tilt-back angle: 7 degrees
- ▶ NOTE: Feet are adjustable in height